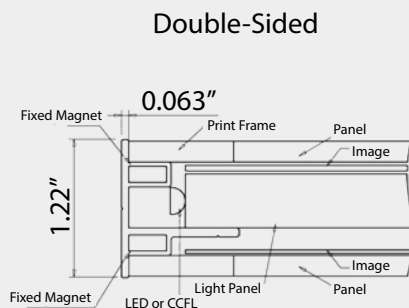
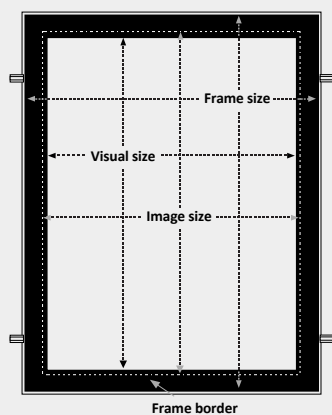
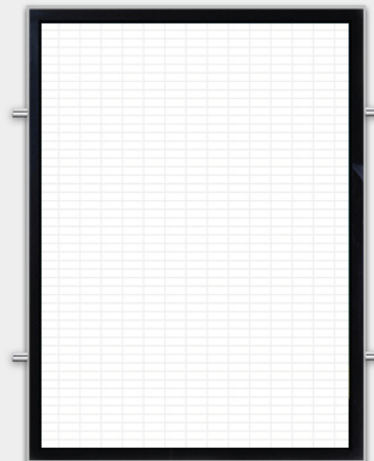


## LED Light Box - Magnetic Frame (MF-02 - Double-Sided)

Our CSA-approved Magnetic Frame light boxes are ideal for use as displays on glass windows as they offer exquisite double sided views. Powered by our trademark, innovative power-saving technology, these silver array aluminum frames are ideal to promote your business or to prop against a window setting. These light boxes are powered by two copper cables\* and mounted using two ceiling\* and two floor\* mounts. (\*Purchased separately)

Graphics can be easily changed by using a simple suction cup (in box) allowing the user to pull open the front panel to change images with ease.



### Accessories

- 1 x Magnetic Frame LED Light Box
- 1 x Power Adapter
- 1 x Dimmer

*NOTE: The 16" L x 20" W Magnetic Frame does not have a dimmer included.*

### Available in sizes

- 16" L x 20" W, 20" L x 24" W,
- 20" L x 30" W, 24" L x 36" W.

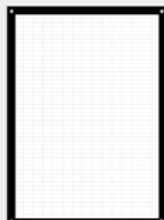
Model Number	Frame Size L x W x H (inch)	Image Size L x W (inch)	Visual Size L x W (inch)	Weight (lbs)	Type of Tube	Power Supply
MF-02-DF-A2	24 x 36 x 1.22	22.3 x 34.3	21.5 x 33.5	19	LED 32W	AC 110-230V 50Hz/60Hz
MF-02-DF-A3	20 x 30 x 1.22	18.3 x 28.3	17.5 x 27.5	17	LED 27W	AC 110-230V 50Hz/60Hz
MF-02-DF-A4	20 x 24 x 1.22	18.3 x 22.3	17.5 x 21.5	16	LED 23W	AC 110-230V 50Hz/60Hz
MF-02-DF-A5	16 x 20 x 1.22	14.3 x 18.3	13.5 x 17.5	11	LED 12W	AC 110-230V 50Hz/60Hz



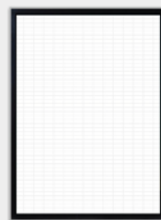
Clear Frame  
(Wall Suspension)



Clear Frame  
(Wall Mount/Countertop)



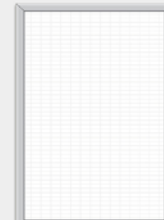
Glossy Black Frame  
(Wall Mount/Countertop)



Magnetic Frame  
(Wall Mount)



Magnetic Frame  
(Wall Suspension)



Snap Frame  
(Wall Mount)