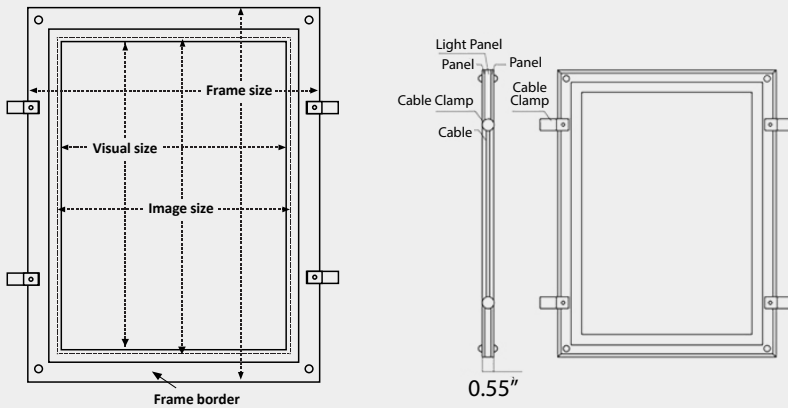
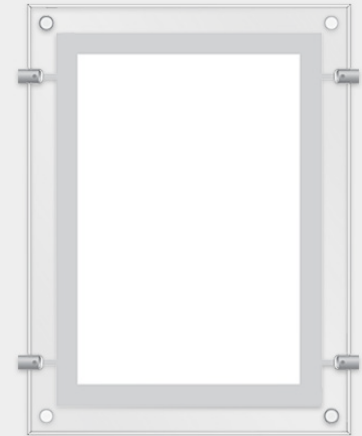


LED Light Box - Clear Frame (FL-01)

Our CSA-approved Clear Frame light boxes are ideal for use as displays on glass windows as they offer exquisite double sided views. Powered by our trademark, innovative power-saving technology, these acrylic frames are ideal to promote your business or to prop against a window setting. These light boxes are powered by two copper cables* and mounted using two ceiling* and two floor* mounts. (*Purchased separately)

Graphics can be easily changed by unscrewing the screw caps from all four sides and sliding the images between the two acrylic panels.



Accessories

- 1 x Clear Frame LED Light Box
- 1 x Power Adapter
- **Floor & Ceiling Mount LED Cable System (Purchased separately)

Available in sizes

- 12" L x 16" W, 16" L x 20" W,
- 18" L x 24" W, 20" L x 28" W,
- 24" L x 36" W.

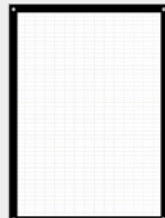
Model Number	Frame Size L x W x H (inch)	Image Size L x W (inch)	Visual Size L x W (inch)	Weight (lbs)	Type of Tube	Power Supply
FL-01-A1	24 x 36 x 0.55	19.7 x 31.7	18.9 x 30.9	22	LED 27W	AC 110-230V 50Hz/60Hz
FL-01-A3	20 x 28 x 0.55	16.1 x 24.1	15.3 x 23.3	14	LED 22W	AC 110-230V 50Hz/60Hz
FL-01-A4	18 x 24 x 0.55	14.1 x 20.1	13.3 x 19.3	12	LED 20W	AC 110-230V 50Hz/60Hz
FL-01-A5	16 x 20 x 0.55	12.9 x 17	12.1 x 16.3	10	LED 10W	AC 110-230V 50Hz/60Hz
FL-01-A6	12 x 16 x 0.55	9.2 x 13.2	8.4 x 12.4	5	LED 5W	AC 110-230V 50Hz/60Hz



Clear Frame
(Wall Suspension)



Clear Frame
(Wall Mount/Countertop)



Glossy Black Frame
(Wall Mount/Countertop)



Magnetic Frame
(Wall Mount)



Magnetic Frame
(Wall Suspension)



Snap Frame
(Wall Mount)